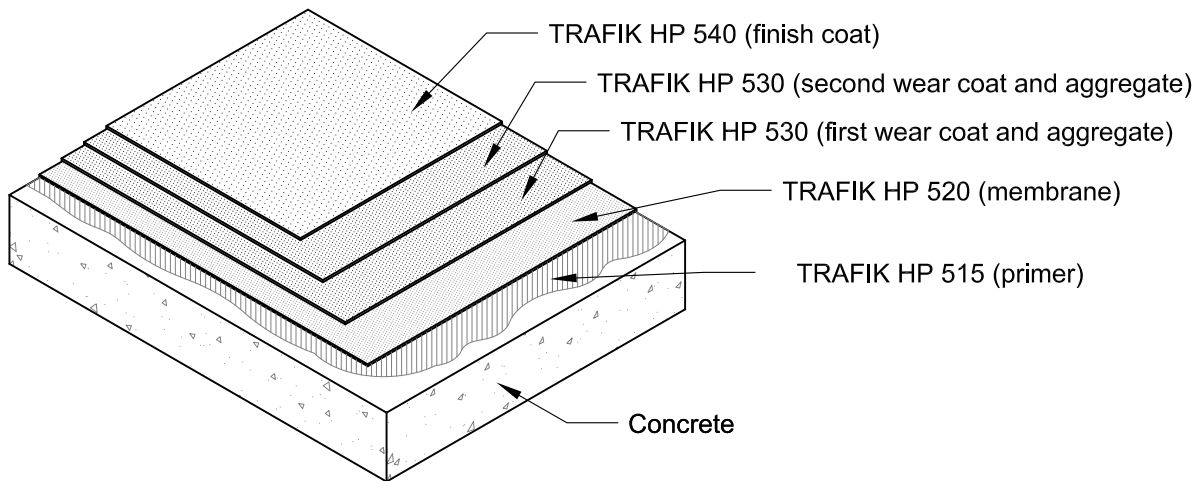
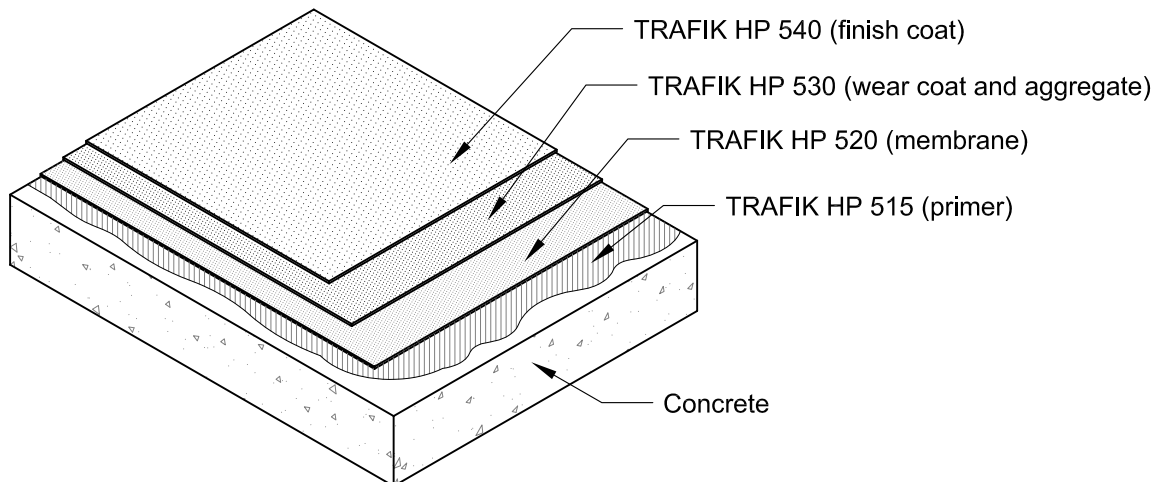


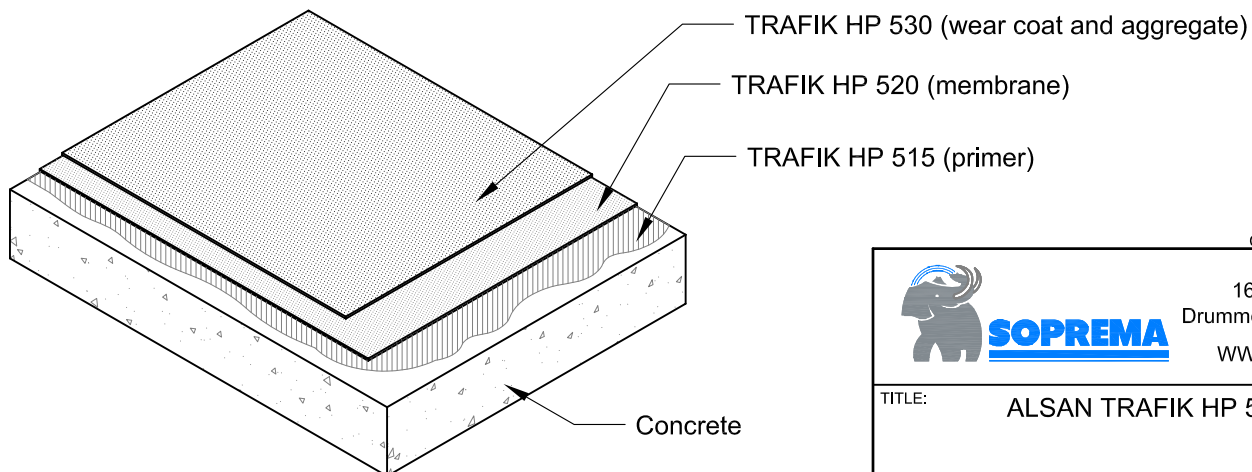
Heavy duty vehicular traffic



Light duty vehicular traffic



Pedestrian traffic



COPYRIGHT 2015 SOPREMA



SOPREMA

1688, J-B Michaud
Drummondville, QC J2C 8E9
WWW.SOPREMA.CA

TITLE: ALSAN TRAFIK HP 500 SYSTEM

PROJECT:

DRAWING NUMBER:

SCALE:

N.T.S.

DATE:

JANUARY 2015

TRAFIK-01