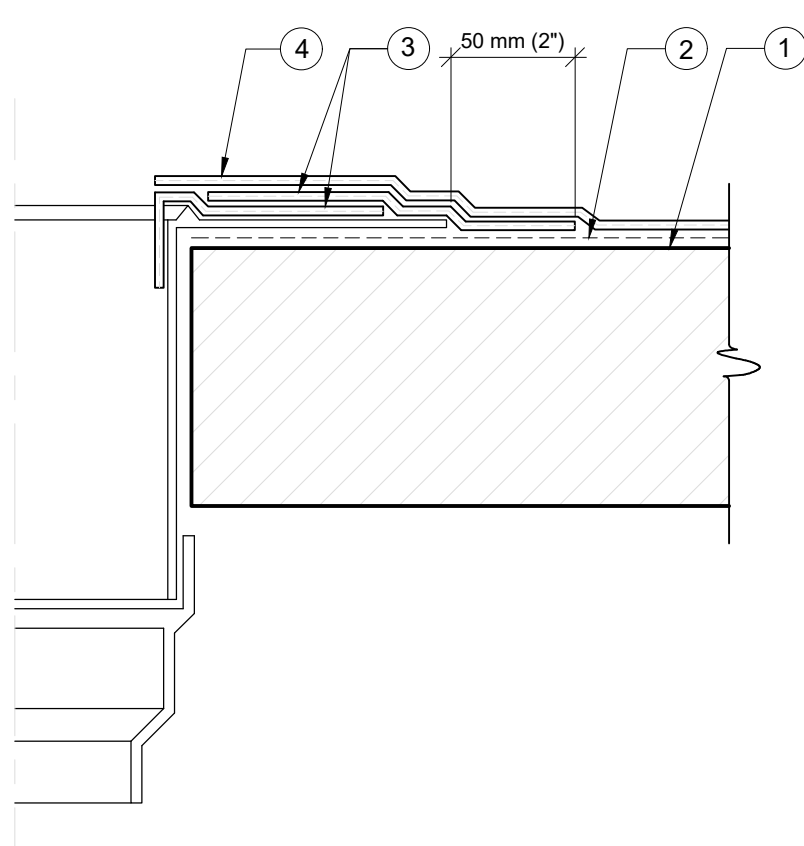


Mechanical drain termination



Copper drain termination

- ① Proper surface preparation
- ② Alsan RS 276 / 222 Primer
- ③ Alsan RS 230 Flash  
Alsan RS Fleece  
Alsan RS 230 Flash
- ④ Alsan RS 230 Field  
Alsan RS Fleece  
Alsan RS 230 Field

Optional additional layers :  
Alsan RS 233 Self Levelling Mortar  
Alsan RS 281 / 287 / 289

Note :

For dimensions and reinforcement cutting,  
please refer to detail ARS-01.

COPYRIGHT 2020 SOPREMA

Title : ALSAN RS - DRAIN TERMINATION

Scale:  
N.T.S

Date:  
OCT. 2020

Drawing number:  
SOP151-01