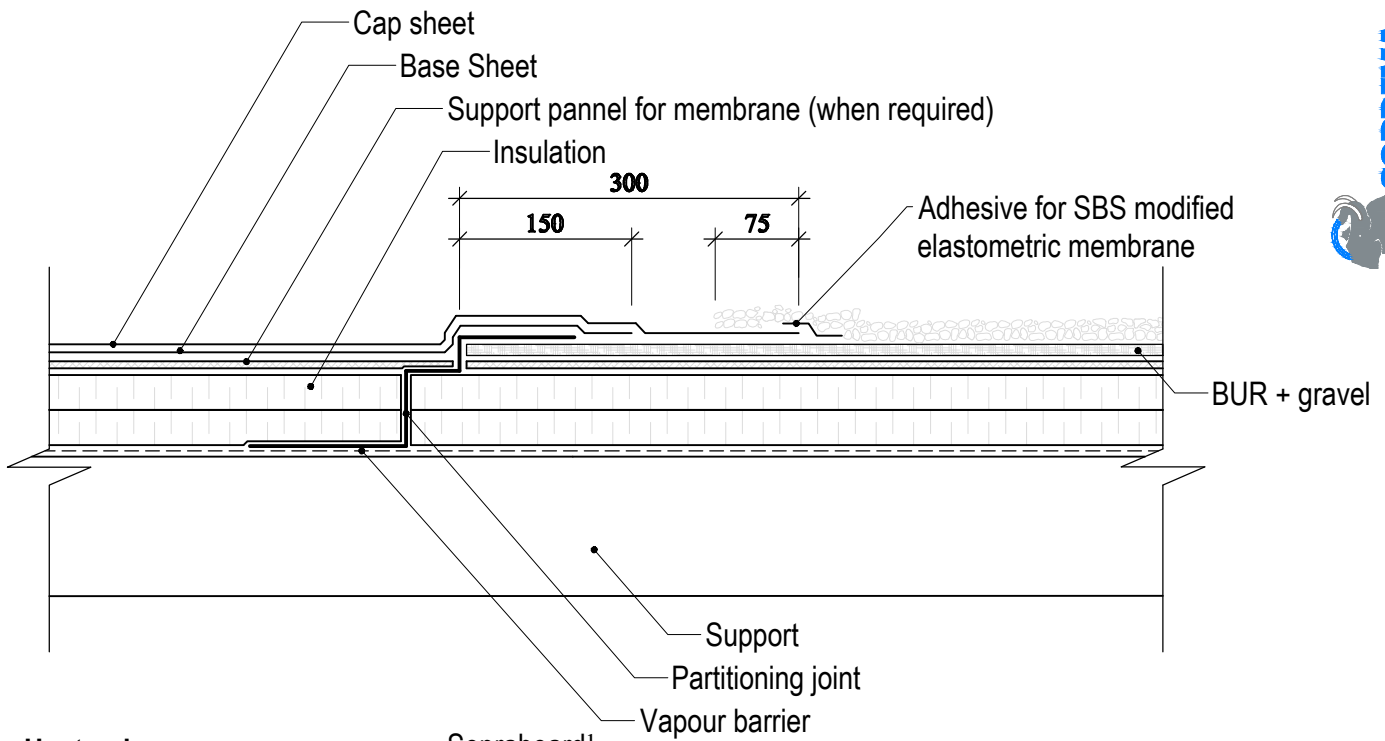
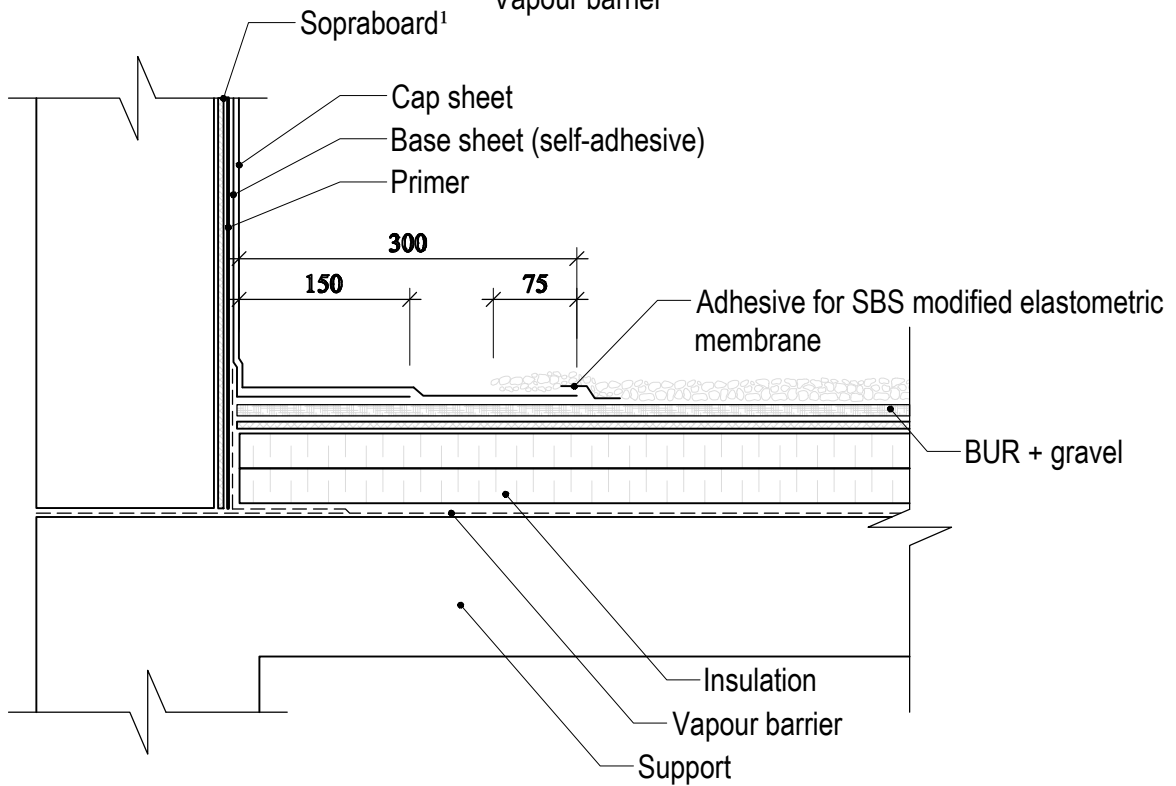


**Field Surface**



**Upstands**



Note 1: Sopraboard must be mechanically fastened before the installation of new base sheet flashing membranes over existing.  
 Note: Scarify and apply Elastocol 500 primer on BUR surface in overlap area prior to installation of modified bitumen membranes..

COPYRIGHT 2019 SOPREMA

Title : JUNCTION OF MODIFIED BITUMEN SYSTEM WITH EXISTING BUR - HEAT WELDED

Scale:  
N.T.S.

Date:  
DECEMBER 2019

Drawing number:  
SOP181-02

