



WATERPROOFING
ACCESSORIES PRODUCT

ALSAN FOAM EPS/XPS

TECHNICAL DATA SHEET 200701SCANE

(supersedes -)

DESCRIPTION

ALSAN FOAM EPS/XPS is a one-component, moisture curing, PU adhesive foam. It is an adhesive recommended for bonding thermal insulation board, especially EPS, XPS and PU boards. It possesses excellent adhesion to most typical construction materials such as cement based materials, brick, wood, aluminum, galvanized and painted iron sheets. It is suitable for indoor and outdoor applications.

ALSAN FOAM EPS/XPS has been developed for bonding EPS, XPS and PU boards.

SURFACE PREPARATION

Before application, be sure that surfaces are clean, homogeneous and free from all contamination (oils and grease, dust and loose or friable particles). Cement laitance must be removed. Dry and porous surfaces should be moistened with water. Air temperature during application is between 0°C and +30°C. Optimal can temperature is around +20°C. If the can temperature is lower put the can into warm water (around 35-40°C) for 40min.

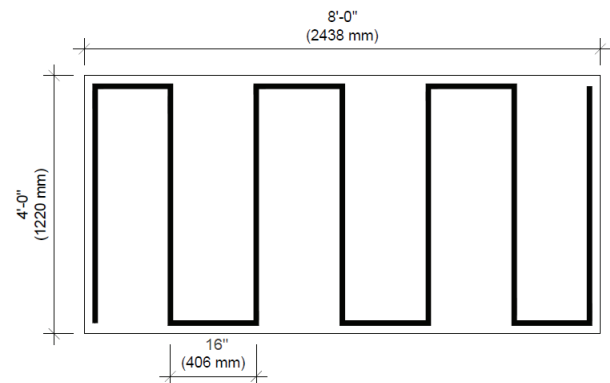
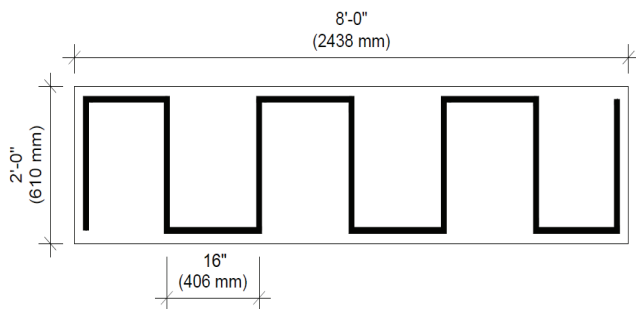
APPLICATION

Application temperature : 0 to 30 °C (32 to 86 °F) Service temperature : -40 to 100 °C (-40 to 212 °F)

Shake the can containing ALSAN FOAM EPS/XPS before its use. Screw the can onto an application gun. Press the trigger of the gun to let the foam flows. Shake regularly during the application. Always keep the can upside down during application.

Apply the foam in strips of 2-3 cm (3/4-1 1/8 in) width at 3 cm (1 1/8 in) of the edges of the board. Apply ALSAN FOAM EPS/XPS in an "S" pattern with continuous beads installed every 45 cm (16 in)

Suggested layout depending on the dimensions of the panels:



At short work interruptions (less than 48 hours) the can can be left screwed onto the gun, but screw on the back side of the gun must be tightened. The can must be under pressure, otherwise the foam will harden in the gun.

Read manufacturer's applicator gun instructions for a perfect usage of the tool.

RESTRICTION(S)

ALSAN FOAM EPS/XPS is not suitable for PE, silicone and PTFE substrates.

FOR COMPLETE INFORMATION ON PRODUCT INSTALLATION, PLEASE CONTACT SOPREMA OR RESISTO



SOPREMA.US • 1.800.356.3521

SOPREMA.CA • 1.877.MAMMOUTH

TDS-ALSAN-FOAM-EPS-XPS.indd



WATERPROOFING
ACCESSORIES PRODUCT

ALSAN FOAM EPS/XPS

TECHNICAL DATA SHEET 200701SCANE

(supersedes -)

PACKAGING

Specifications	ALSAN FOAM EPS/XPS
Physical state	Liquid
Chemical Base	One component polyurethane
Colour	Light green
Coverage rate per can	Up to 14 m ² (150 ft ²) per can

Note : Coverage rate is approximate and may vary due to the application technique and surface roughness
(All values are nominal)

PROPERTIES

Properties	ALSAN FOAM EPS/XPS
Density (foam)	21 kg/m ³
Curing system	Moisture
Skinning time	6 min (+23 °C / 50 % R.H.)
Curing time	24 hours (+23 °C / 50 % R.H.)
Fire class	B2 (DIN 4102-3) - E (EN 13501-1)
Thermal conductivity	0.036 W/m.K (@20 °C)
Elongation at break	13 %
Tensile strength	7.6 N/cm ²
Compression strength	0.03 MPa
Yield	65-70 liters

(All values are nominal)

CLEANING

At longer work interruptions, clean the gun with **ALSAN FOAM CL-F** (cleaner).

STORAGE AND HANDLING

This product may be kept for a period of 15 months from date of production if stored in undamaged original and unopened packaging
Store in dry conditions and protected from direct sunlight at temperatures between +5°C and +25°C.

For more information and advice on the safe handling, storage and disposal of the chemical products, users shall refer to the most recent Safety Data Sheet (SDS) containing physical, ecological, toxicological and other safety related data.



SOPREMA.US • 1.800.356.3521

SOPREMA.CA • 1.877.MAMMOUTH

TDS-ALSAN-FOAM-EPS-XPS.indd