



ACCESSORY
PRODUCTS

APPLICATIONS

ROOFS

FOUNDATIONS

CIVIL WORKS

FLAGON PVC CONNECTION PIPE COLLAR

TECHNICAL DATA SHEET

ANZ-TDS-78-FLAGON PVC PIPE COLLAR

DESCRIPTION

The **FLAGON PVC PIPE COLLAR** is a prefabricated element obtained by moulding and it is made of PVC FLAGON.

The **FLAGON PVC PIPE COLLAR** is used on roofing or underground waterproofing system assembled with FLAGON PVC synthetic membranes to give continuity to the waterproofing around elements that come out from the roof or foundations.

The presence of different section diameters allows, once a measurement has been cut, to better adapt **FLAGON PVC PIPE COLLAR** with the diameter of the elements that come out from the roof.

Easy and quick to install

Rot-proof

High puncturing resistance

Excellent weldability

APPLICATION

- **FLAGON PVC PIPE COLLAR** are welded with hot air all along the flange perimeter on the Flagon PVC membranes. Around the elements that come out from the roof or foundation it is necessary to place a permanent elastic silicone between **FLAGON PVC PIPE COLLAR** and the element that come out from the roof or foundation and, subsequently, tighten the upper end with a stainless steel clamp.
- **FLAGON PVC PIPE COLLAR** is compatible with all the accessories and membrane in the FLAGON PVC range.

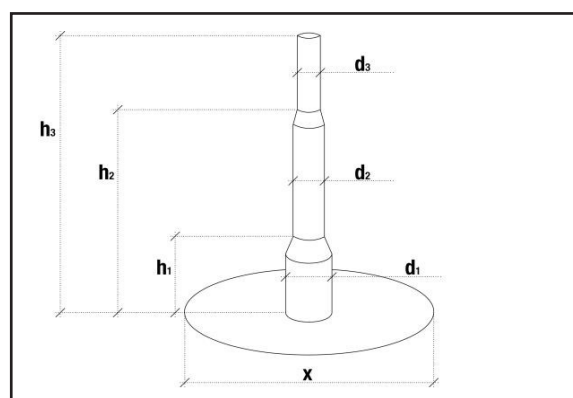
FOR COMPLETE INFORMATION ON PRODUCT INSTALLATION, PLEASE CONSULT YOUR SOPREMA REPRESENTATIVE.

PACKAGING

SPECIFICATIONS	FLAGON PVC PIPE COLLAR
Appearance	grey
Weight per piece	0.124 kg
Packaging	10 units per box

PROPERTIES

PROPERTIES	FLAGON PVC PIPE COLLAR	
Width	x	170 mm
Internal diameter	d1	29 mm
Internal diameter	d2	19 mm
Internal diameter	d3	10 mm
Height	h1	50 mm
Height	h2	150 mm
Height	h3	200 mm
Thickness	-	3.0 mm



STATEMENT OF RESPONSIBILITY

The technical information and application advice given in this publication is based on the present state of our best knowledge. As the information herein is of a general nature, no assumption can be made as to a product's suitability for a particular use or application and no warranty as to its accuracy, reliability or completeness either expressed or implied is given other than those required by Commonwealth or State Legislation. The owner, their representative and/or the contractor are responsible for checking the suitability of products for their intended use.



SOPREMA.COM.AU • +61 (3) 9221 6230

TDS_FLAGON_PVC_PIPE_COLLAR_11-2020_RA

1/1